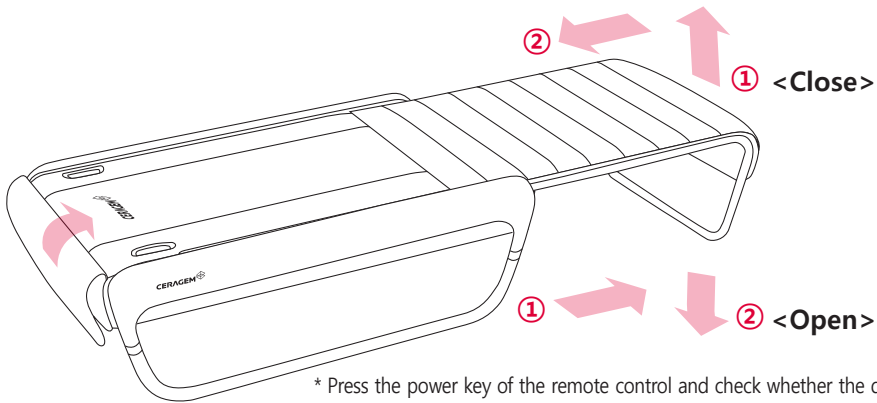




4. How to move the product

1

Disconnect the power cord, remote control, and external projector from the main body. Then, lift the head cushion and close the supporting mat. (To open the supporting mat, pull forward and then lower it.)

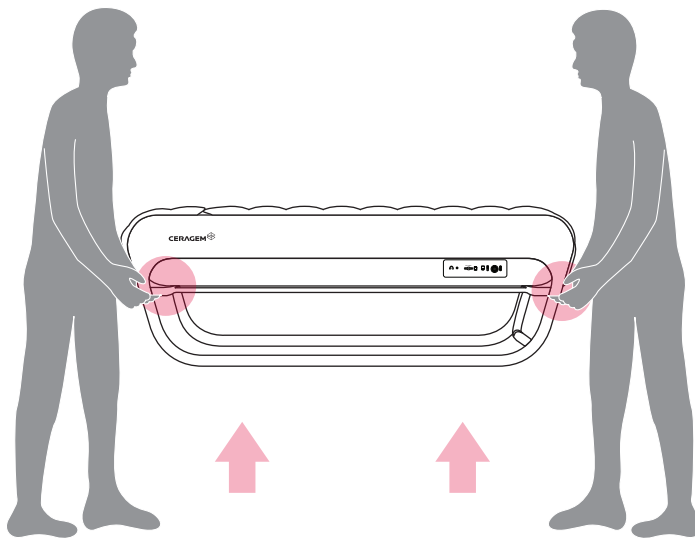


Caution

When moving the device, please make sure that the remote control is turned off first before turning off the rest of the device. (After turning off the remote control, please wait 10 seconds before closing the supporting frame.)

2

Two people must hold both sides of the main body frame and lift and move horizontally.



Caution

When lifting the equipment, please lift slowly while straightening your back and bending your knees.